



PROVEN PERFORMER

Vended Laundry

SWNNX2 (top loading washer),
SDENXR (electric dryer), SDGNXR (gas dryer)

Top loading washer features

- 710 rpm spin speed among the highest in the industry
- Curved four-vane agitator delivers an industry-best 210° stroke
- Exclusive stainless steel tub with a lifetime warranty
- Helps protect against pulls, snags or frayed clothes
- Fast cycle times

Dryer features

- Durable galvanized steel cylinder with an extra-large 198 litres of volume
- Efficient dryer heating with 6,300 kCal (gas models) and up to 4,000 Watts (electric models)
- Extended tumble helps eliminate wrinkling
- Quiet, efficient blower system uses a superior airflow of 5100 litres per minute
- 1913.8 sq. cm door opening is the largest in the industry, providing easy loading and unloading for customers



EASY
OPERATION



STANDARD STAINLESS
STEEL DRUM



LARGE DOOR
OPENING



LOW ENERGY
CONSUMPTION



ROBUST
DESIGN

Controls

Quantum™ Gold

In addition to its network capabilities and off-site management features, Quantum™ Gold offers additional owner and customer benefits such as PC programming and machine audit capabilities, as well as time-of-day pricing, a “lucky cycle” for loyal customers and the ability to interface with the store owner’s payment systems. Cycle modifier keys create additional profit opportunities for store owners.



SWNNX2

SDENXR, SDGNXR

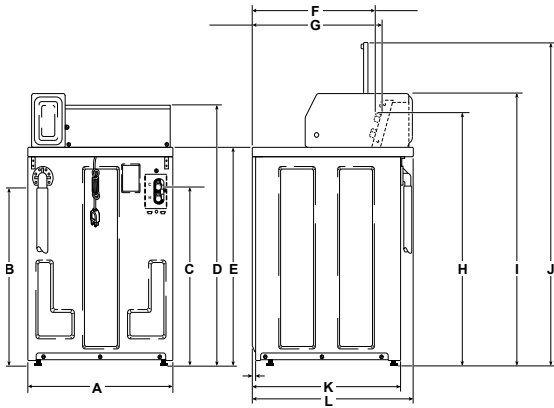
| | SWNNX2 | SDENXR (Electric) SDGNXR (Gas) |
|---|---|---------------------------------------|
| Type | Top Loading Washer | Single Dryer |
| Control | Quantum | Quantum |
| Control location | Rear | Rear |
| Drum | | |
| Capacity kg | 7.3 | 8.2 |
| Cylinder volume litres | 92.3 | 198 |
| Drum speed | | |
| Spin speed G-Force | 150 | n/a |
| Spin speed rpm | 710 | n/a |
| Motor | | |
| Motor size kW | 0.37 | 0.25 |
| Cabinet | | |
| Cylinder finish | Stainless steel | Galvanized |
| Colours | White | White |
| Door type (solid/window) | n/a | Solid |
| Heating | | |
| Heat sources | n/a | Gas or Electric |
| Heating element (Electric W) | n/a | 4000 |
| Connection | | |
| Gas inlet connection mm | n/a | 9.5 |
| Gas consumption BTU/Hr | n/a | 25,000 |
| Exhaust outlet dia. mm | n/a | 102 |
| Exhaust airflow litres/sec | n/a | 60 Hz: 105, 50 Hz: 85 |
| Water temperatures | 3 | n/a |
| Operation | | |
| Cycles* | Normal, Perm Press, Delicate | High, Medium, Low, Delicates, No Heat |
| Water consumption per cycle litres* | 93.0 | n/a |
| Water pressure bar | 1.4/8.3 | n/a |
| Cycle indicator lights | Yes | Yes |
| Power | | |
| Electrical requirements (voltage/Hz/Ph) | 240/50/1 | 240/50/1 |
| Transport data | | |
| Net weight kg | 86 | Electric/Gas 61/64 |
| Shipping weight kg | 95 | Electric/Gas 66/68 |
| Dimensions H×W×D mm | 1092×650×711 | 1092×683×711 |
| Packing dimensions H×W×D mm | 1124×699×762 | 1156×737×832 |
| Agency approvals | | |
| Available agency approvals | See price sheet for applicable agency approvals by market | |



Dimensions

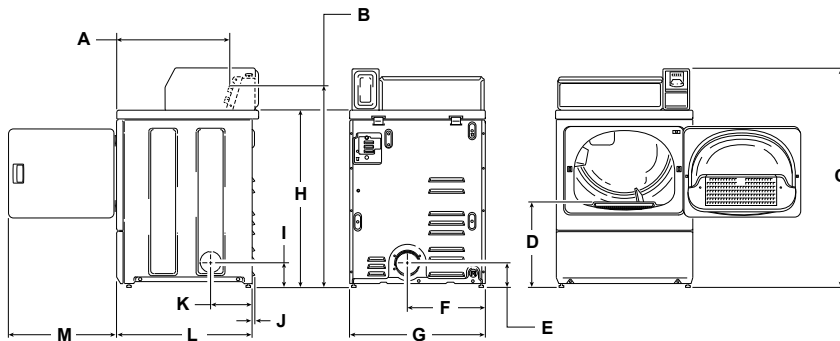
Top Loading Washer

| | A | B | C | D | E | F | G | H | I | J | K | L |
|---------------|-----|-----|-----|------|-----|-----|-----|------|------|------|-----|-----|
| SWNNX2 | 651 | 745 | 730 | 1092 | 914 | 547 | 570 | 1025 | 1085 | 1295 | 660 | 711 |



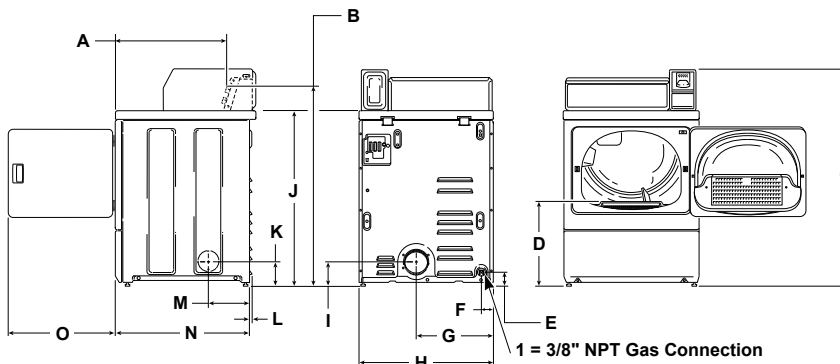
Electric Dryer

| | A ¹ | A ² | B ¹ | B ² | C | D | E | F | G | H | I | J | K | L | M |
|---------------|----------------|----------------|----------------|----------------|-------|------|------|-----|-----|------|------|----|-----|-----|-----|
| SDENXR | 548 | 560 | 1020* | 970 | 1097* | 392* | 102* | 391 | 683 | 914* | 114* | 10 | 203 | 711 | 597 |



Gas Dryer

| | A ¹ | A ² | B ¹ | B ² | C | D | E | F | G | H | I | J | K | L | M | N | O |
|---------------|----------------|----------------|----------------|----------------|-------|------|-----|----|-----|-----|------|------|------|----|-----|-----|-----|
| SDGNXR | 548 | 560 | 1020* | 970 | 1097* | 392* | 70* | 60 | 391 | 683 | 102* | 914* | 114* | 10 | 203 | 711 | 597 |



NOTE: Gas models cannot be vented out left side of cabinet because of burner housing.
 IMPORTANT: The dryer should have sufficient clearance around it for needed ventilations and for the ease of installation and servicing. For maximum drying performance, we recommend that more clearance be allowed around the dryer than the clearances that are listed here.

All measurements are in mm. *With levelling legs turned into base. ¹Coin Slide models. ²Electronic Control models.
 NOTE: Exhaust openings are 102 mm metal ducting.

