



PROVEN PERFORMER

Vended Laundry

SWNNX2 (top loading washer, electronic control)

SDENXR (electric heat dryer), SDGNXR (gas heat dryer)

Top loading washer features

- 710 rpm spin speed among the highest in the industry
- Curved four-vane agitator delivers an industry-best 210° stroke
- Exclusive stainless steel tub with a lifetime warranty helps protect against pulls, snags or frayed clothes
- Fast cycle times
- Commercial all metal transmission offers highest quality and durability
- Single slot electronic multi denomination coin drop for versatility and accuracy
- Digital display with countdown

Dryer features

- Durable galvanized steel cylinder with an extra-large 198 litres of volume
- Efficient dryer heating with 27 MJ (gas models) and up to 4,000 Watts (electric models)
- Extended Tumble helps eliminate wrinkling by tumbling for two minutes at 20 minute intervals if the dryer door isn't opened decreasing fire risk
- Quiet, efficient blower system uses a superior airflow of 5100 litres per minute for fast efficient drying
- 1913.8 sq. cm door opening is the largest in the industry, providing easy loading and unloading for customers
- Large capacity, full load from washer
- Reversible door



EASY OPERATION



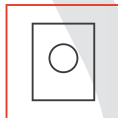
STAINLESS STEEL WASHER DRUM



LARGE DOOR OPENING



LOW ENERGY CONSUMPTION



ROBUST DESIGN

Optional

- Credit Card Activation



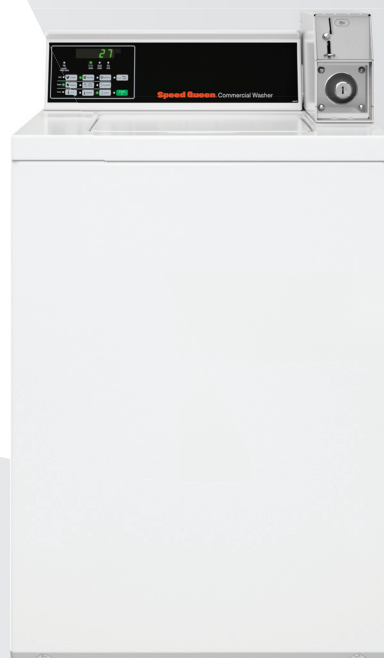
Supporting Smart Card, Tap & Go, Mag Stripe



Controls

Quantum™ Gold

In addition to its network capabilities and remote off-site management features, Quantum™ Gold offers additional owner and customer benefits such as PC programming and machine audit capabilities, as well as time-of-day pricing, a "lucky cycle" for loyal customers and the ability to interface with the store owner's payment systems. Cycle modifier keys create additional profit opportunities for store owners.



SWNNX2



SDENXR, SDGNXR

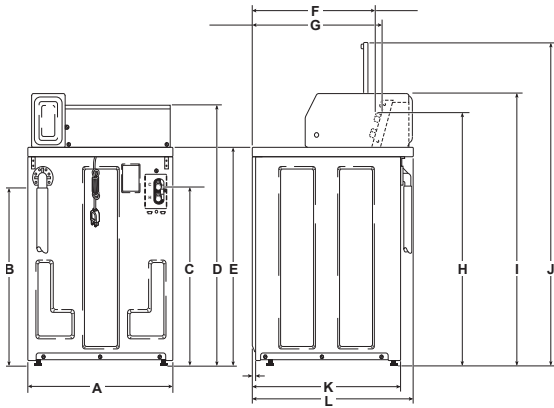
	SWNNX2	SDENXR (Electric heat) SDGNXR (Gas heat)
Type	Top Loading Washer	Single Dryer
Control	Quantum Electronic	Quantum Electronic
Control location	Rear	Rear
Drum		
Capacity kg	8 kg	9 kg
Cylinder volume litres	92.3 Lt	198 Lt
Drum speed		
Spin speed G-Force	150	n/a
Spin speed rpm	710	n/a
Motor		
Motor size kW	0.37	0.25
Cabinet		
Cylinder finish	Stainless steel	Galvanized
Colours	White	White
Door type (solid/window)	n/a	Solid
Heating		
Heat sources	n/a	Electric or Natural Gas, LPG optional
Heating element (Electric W)	n/a	4000
Connection		
Gas inlet connection mm	n/a	9.5
Gas consumption MJ/Hr	n/a	27 MJ
Exhaust outlet dia. mm	n/a	102
Exhaust airflow litres/sec	n/a	85
Water temperatures	3	n/a
Operation		
Cycles*	Up to 30 programmable	High, Medium, Low, Delicates, No Heat
Water consumption per cycle litres*	93.0	n/a
Water pressure kPa	140/830 kPa	n/a
Cycle indicator lights	Digital display	Digital display
Power		
Electrical requirements (voltage/Hz/Ph)	240/50/1, 6 amp	240/50/1, Elec 20 amp, Gas 4 amp
Transport data		
Net weight kg	86	Electric/Gas 61/64
Shipping weight kg	95	Electric/Gas 66/68
Dimensions H×W×D mm	1092×650×711	1092×683×711
Packing dimensions H×W×D mm	1124×699×762	1156×737×832
Agency approvals		
Available agency approvals	SAA Electrical	SAA Electrical, AGA #4945 Gas



Dimensions

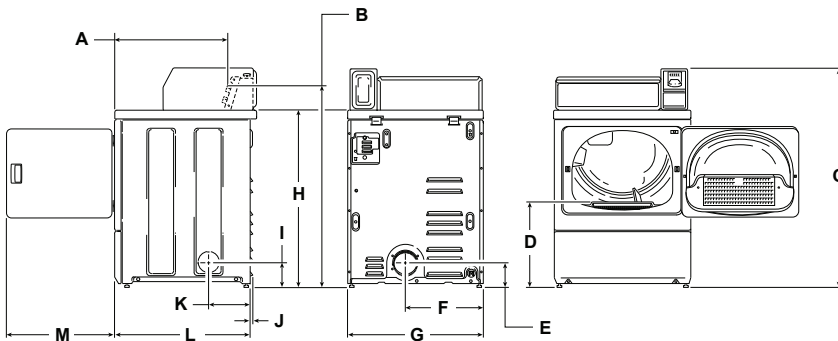
Top Loading Washer

	A	B	C	D	E	F	G	H	I	J	K	L
SWNNX2	651	745	730	1085	914	547	570	1025	1092	1295	660	711



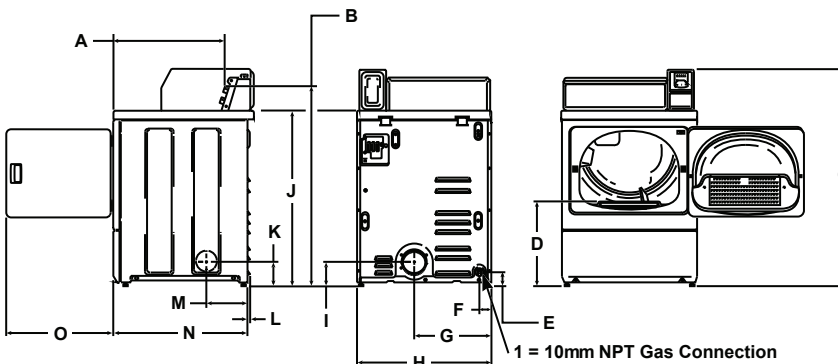
Electric Dryer

	A ¹	A ²	B ¹	B ²	C	D	E	F	G	H	I	J	K	L	M
SDENXR	548	560	1020*	970	1092*	392*	102*	391	683	914*	114*	10	203	711	597



Gas Dryer

	A ¹	A ²	B ¹	B ²	C	D	E	F	G	H	I	J	K	L	M	N	O
SDGNXR	548	560	1020*	970	1092*	392*	70*	60	391	683	102*	914*	114*	10	203	711	597



NOTE: Gas models cannot be vented out left side of cabinet because of burner housing.

IMPORTANT: The dryer should have sufficient clearance around it for needed ventilations and for the ease of installation and servicing. For maximum drying performance, we recommend that more clearance be allowed around the dryer than the clearances that are listed here.

All measurements are in mm. *With levelling legs turned into base. ¹Coin Slide models. ²Electronic Control models.
 NOTE: Exhaust openings are 102 mm metal ducting.

